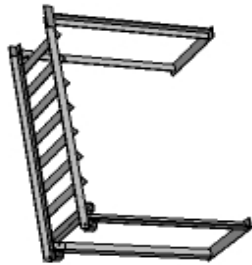




Start by locating the first 2 platform legs, labeled with "1" and "2".

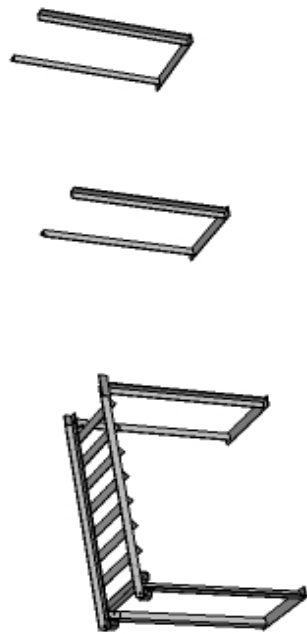


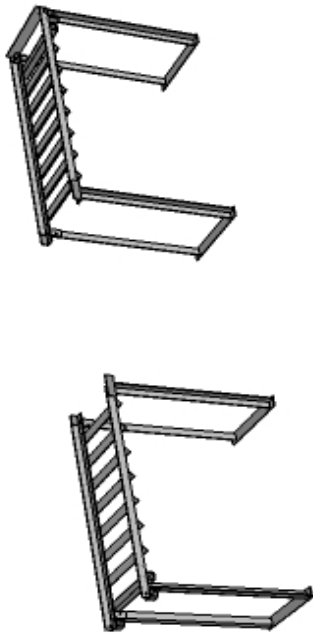


Then locate the first platform section, leg mounts will be labeled with corresponding welded on numbers "1" and "2". Then utilize four of the 1/2 inch diameter grade 8 bolt sets to secure the legs to this platform section. Slightly easier to do this with platform upside down. Only hand tighten the bolts for now.

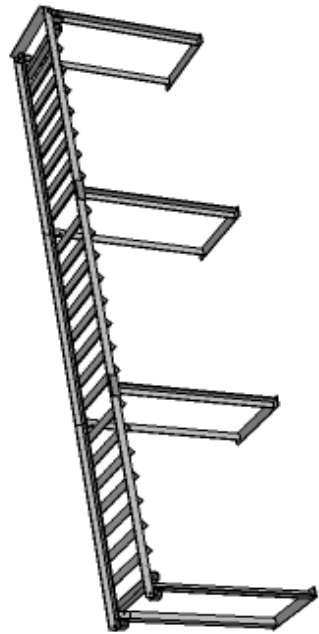


Next locate the next two platform legs, labeled "3" and "4" and set them out.





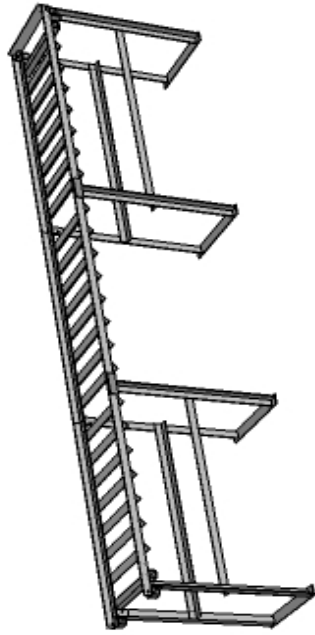
Then locate the third platform section, leg mounts will be labeled with corresponding welded on numbers "3" and "4". Then utilize four of the 1/2 inch diameter grade 8 bolt sets to secure the legs to this platform section. Slightly easier to do this with platform upside down. Only hand tighten the bolts for now.



Locate the platform section labeled to match the 1st and 3rd sections and set in place in between the two free standing platform ends. Once properly secured into place, utilize 4 of the 1/2 diameter grade 8 bolt sets to fasten all 3 platform sections to one another.

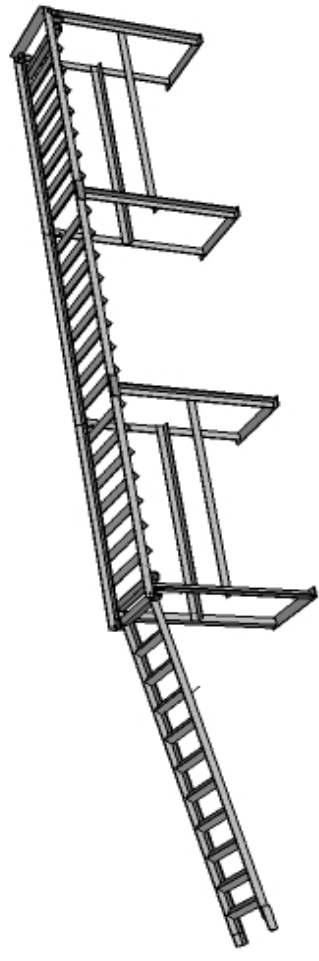


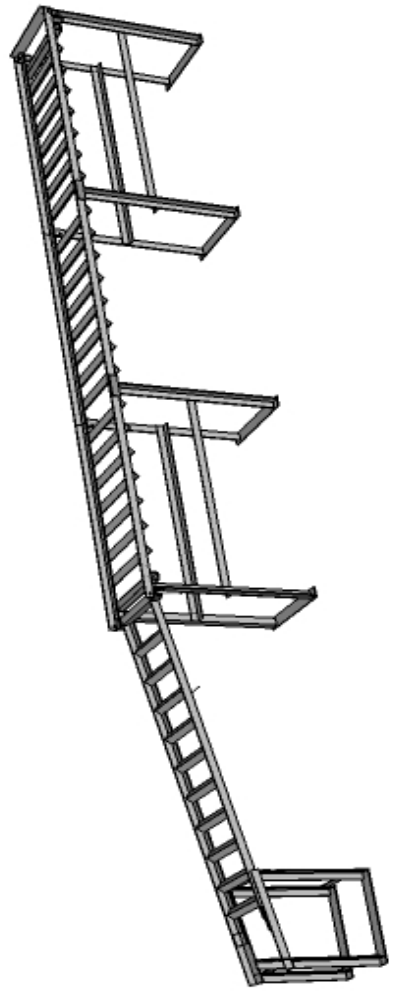
Next up is to get the leg braces / load ramp trays locked into place utilizing a total of 8 of the included carriage bolt sets (the rounded head goes on inside of leg so as to not interfere with load ramps). Once all of these are bolted into place and everything looks good, you can now go back and wrench tighten everything on this side. Also note that the tire stop is removable





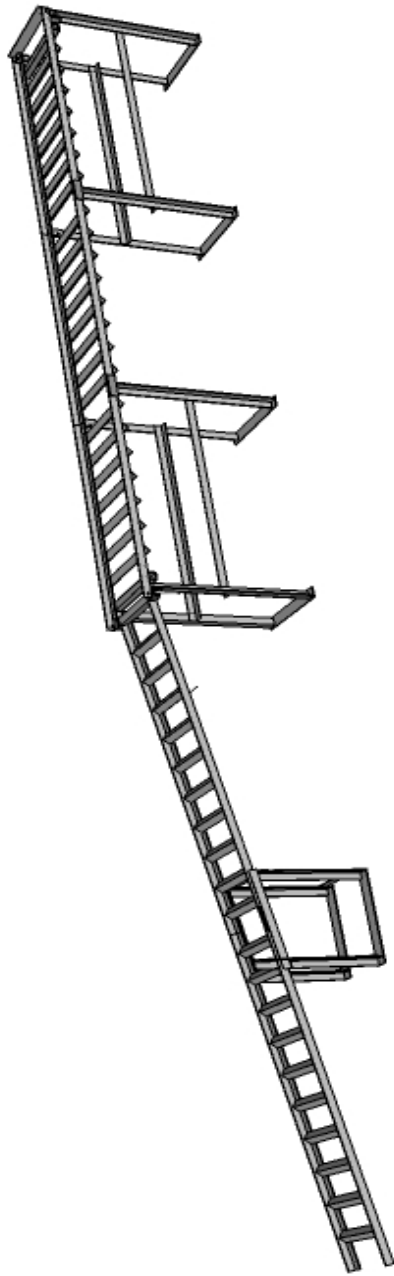
Once this side is completely assembled and wrench tightened, you can now bring over the first section of load ramp (will have square tube welded onto one end) and attach to the chosen load end of the platform with the use of one of the load ramp pins.





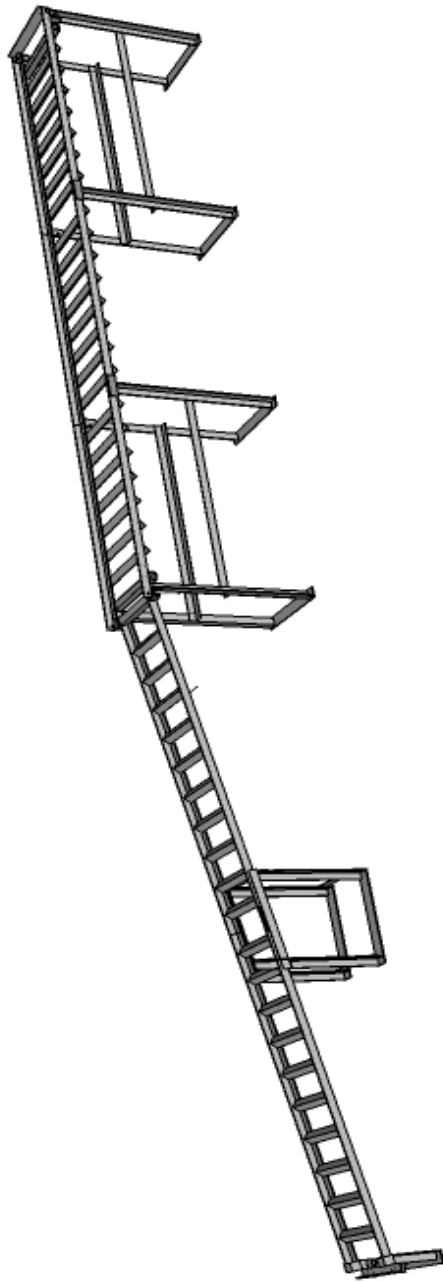
Now assemble the first of the load ramp support stands, using four more of the included hex bolt sets and wrench tighten immediately. Then set the first ramp section onto of the ramp support as depicted.





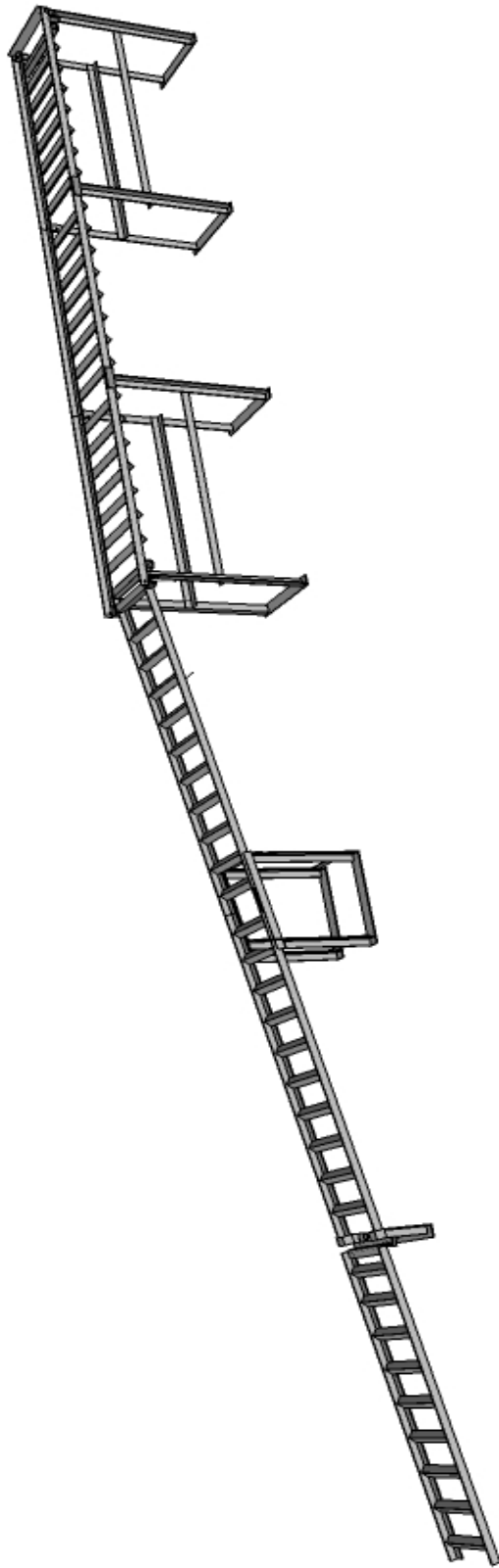
Now attach the second matching load ramp section to the first one and utilize 2 of the included carriage bolts to secure the ramp sections to each other and wrench tighten down.





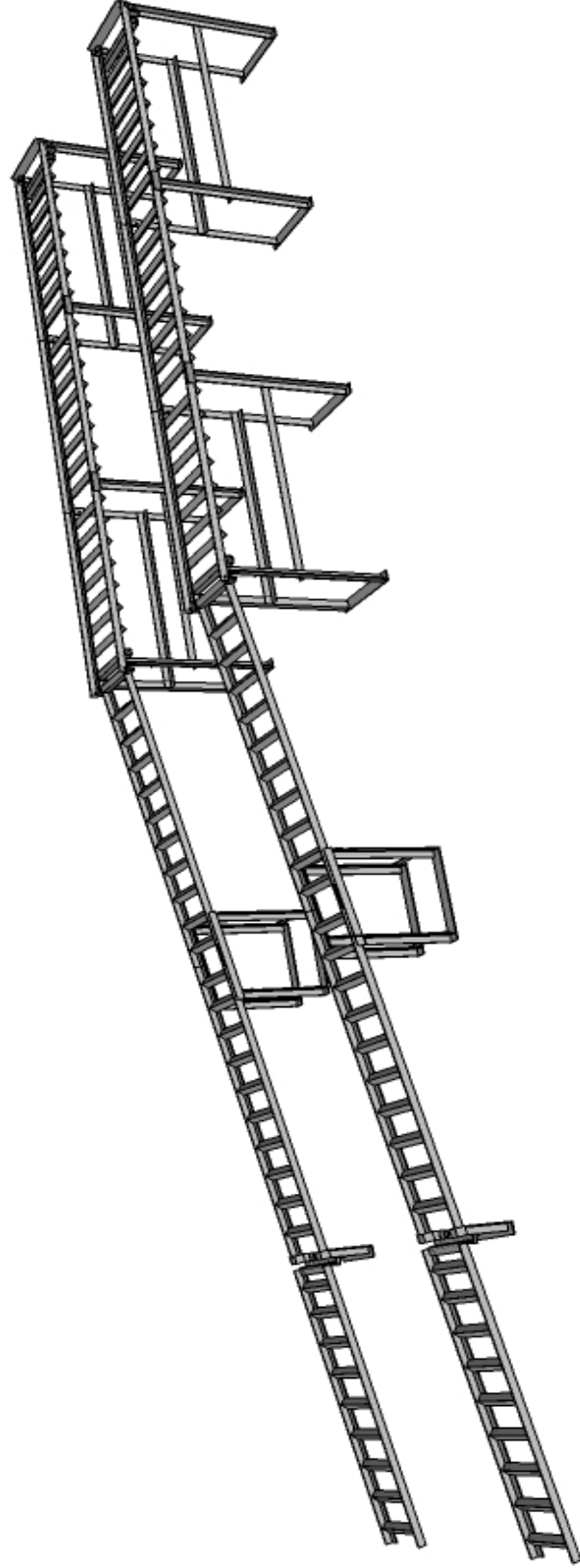
Then slide the add-on load ramp lifter onto the end of the completed load ramp.





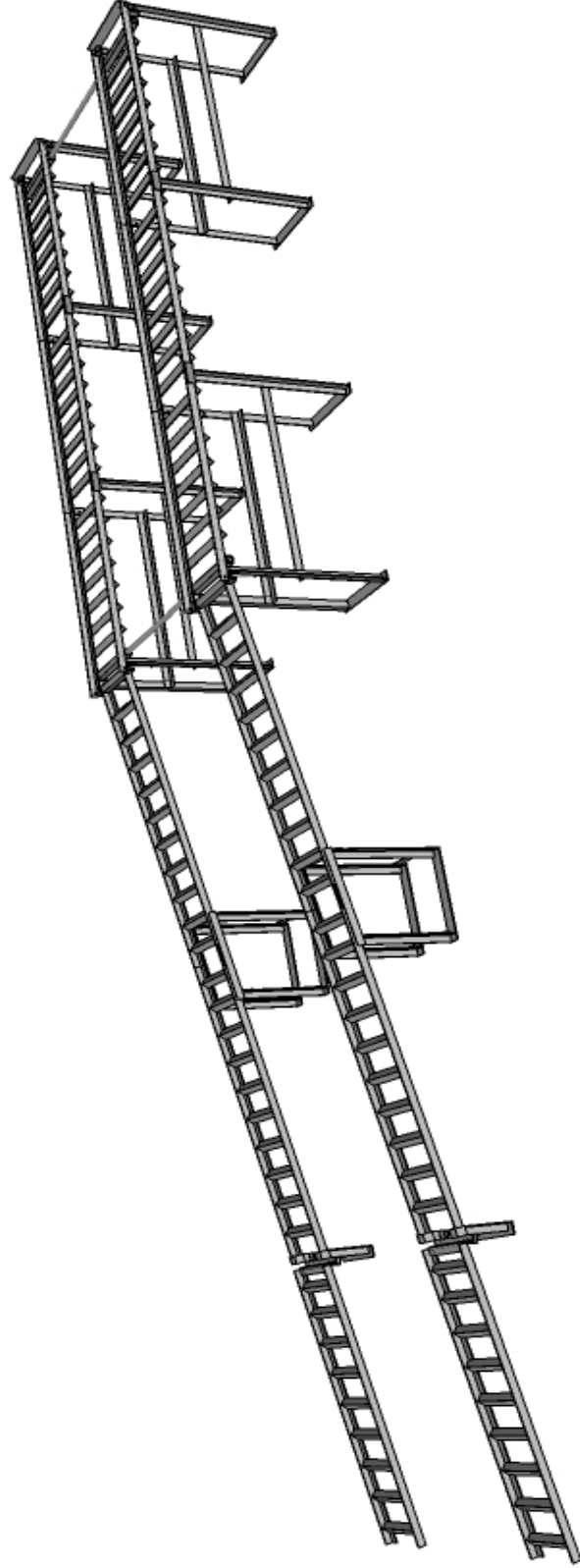
Finally you can now hang one of the slightly shorter end ramp sections onto the ramp lifter and this side had now been completed and is ready for usage.





Now repeat all of the above steps on the second side of the platform and load ramps.





Finally drive the chosen vehicle over in front of the fully assembled display and adjust the distance between the two free standing sides to accommodate this vehicle. Then slide the 2 connector pipes through their receptors and turn the pinch bolts down to tighten everything up. Unit is now ready to be loaded.





One final note, this set had been built to enable drive on, drive off usage so once you're ready to alter the display vehicle you can simply remove the bolt-on tire stop and set the load ramp set up on the opposite end of the platforms and then drive the vehicle right down off it without ever having to back it up.

