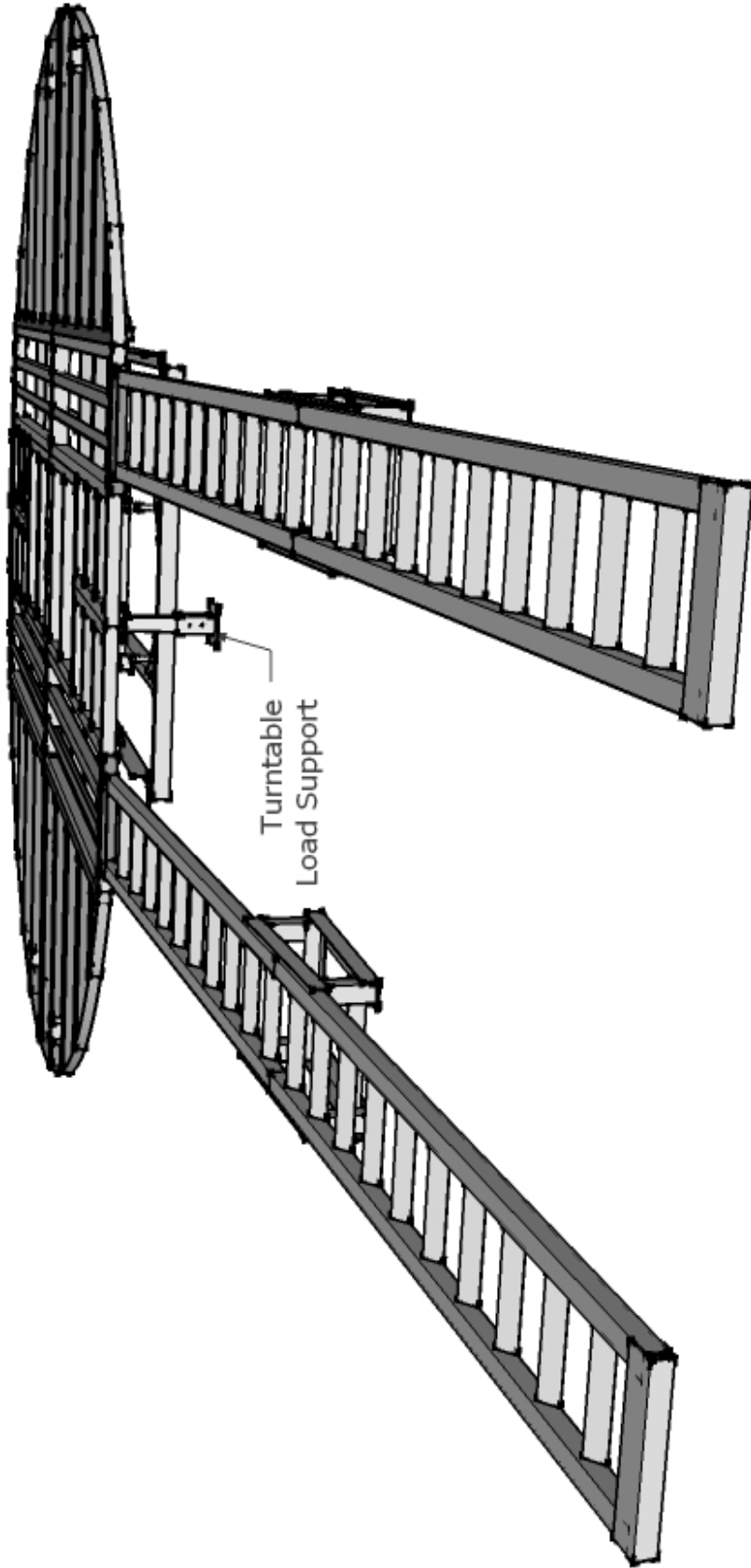


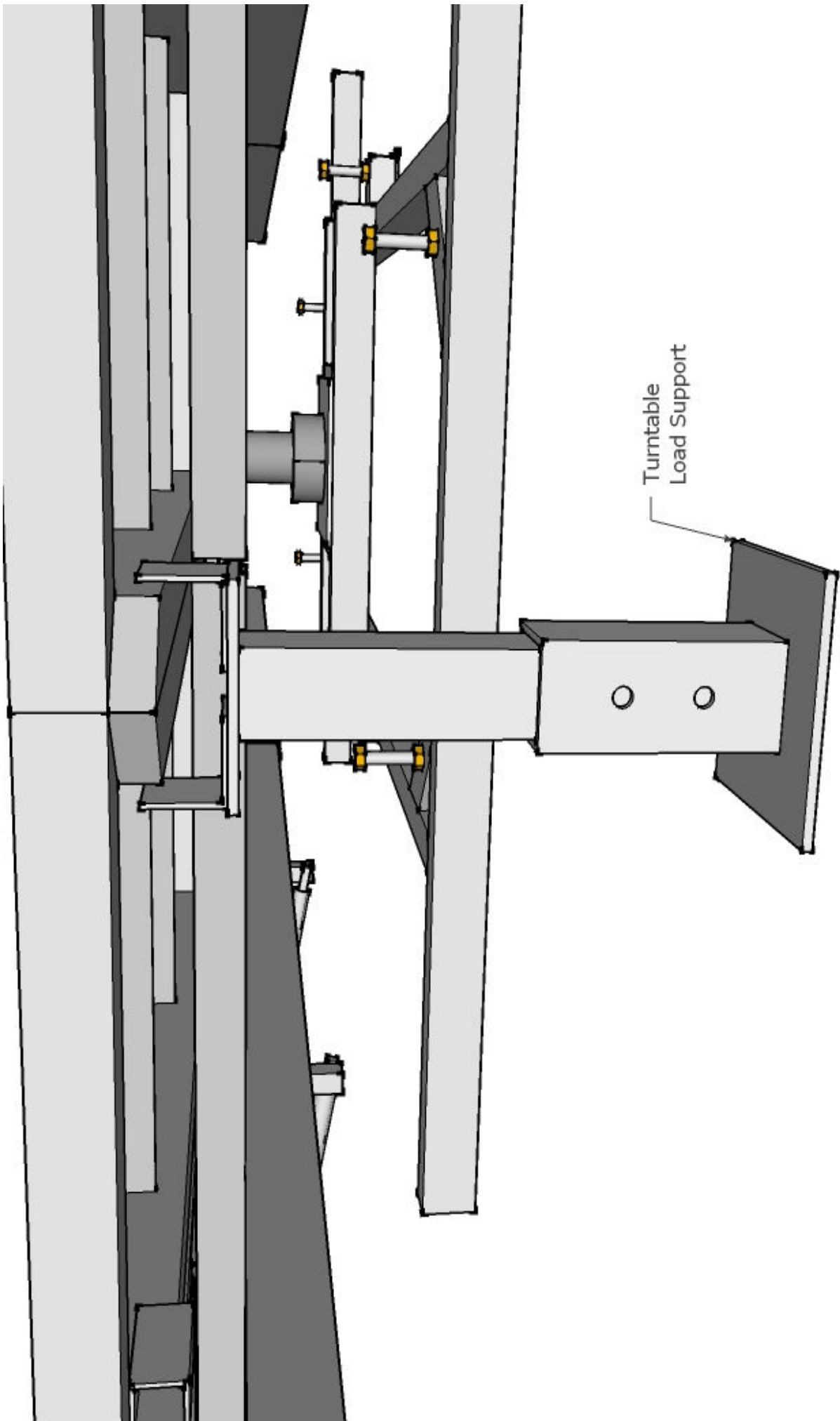
Load Ramp
Support Stand





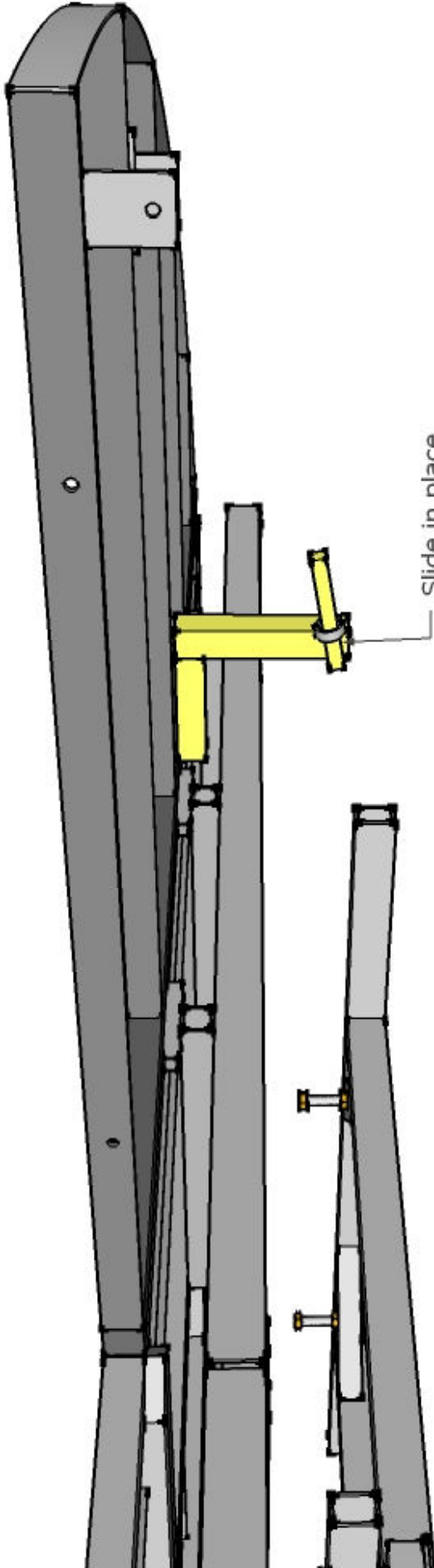
Turntable
Load Support





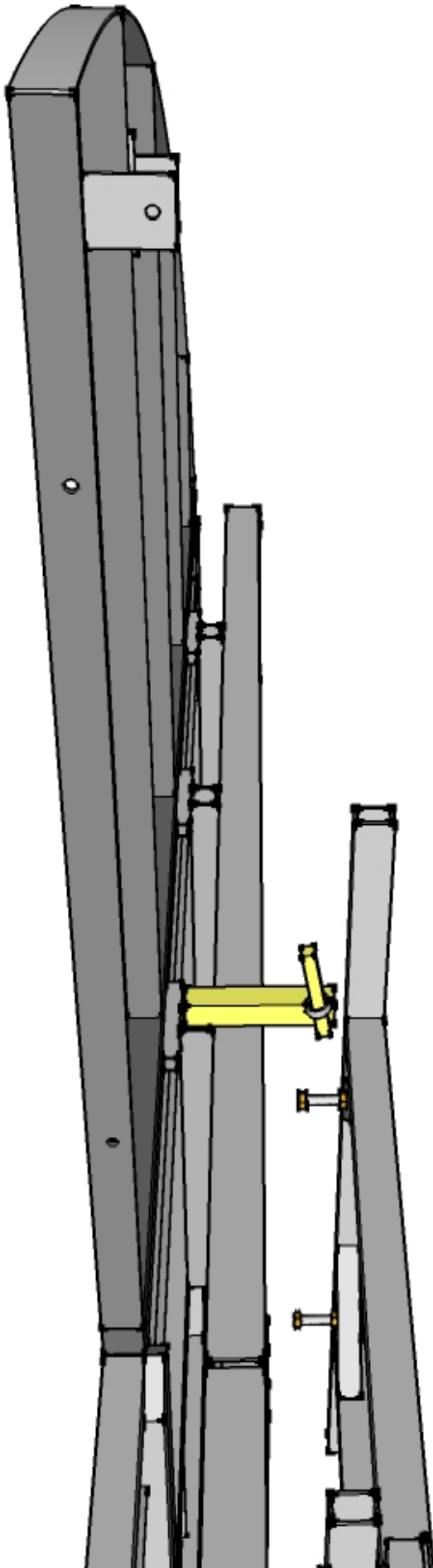
Turntable
Load Support

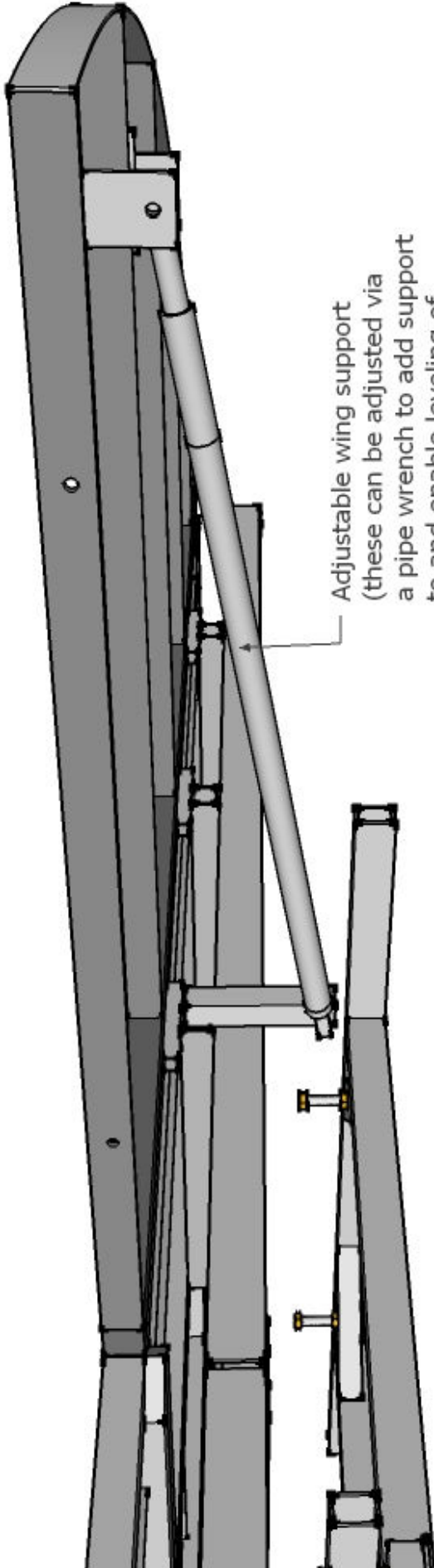




Slide in place
wing adjuster support







Adjustable wing support
(these can be adjusted via
a pipe wrench to add support
to and enable leveling of
wing section)

